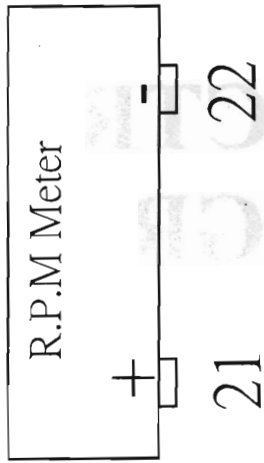
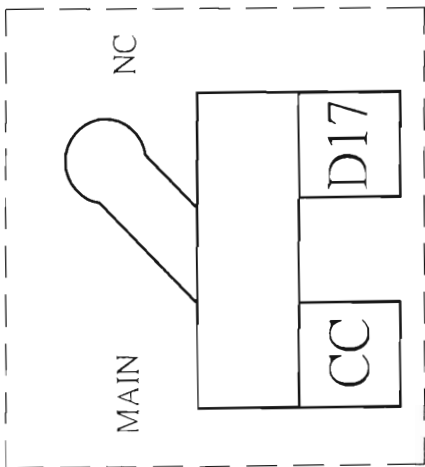
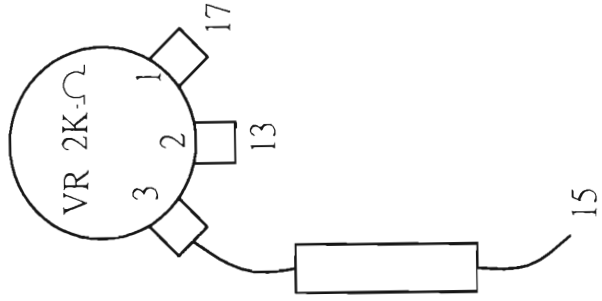


# 1. THE CONTROL PANEL

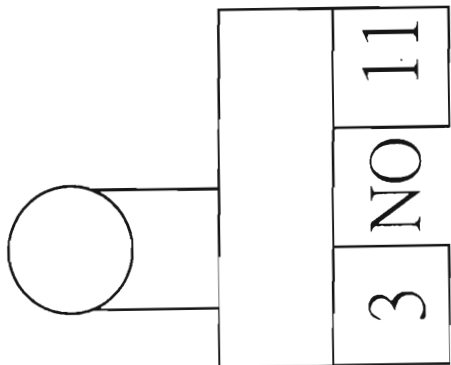
## The Control Panel



SPINDLE SPEED

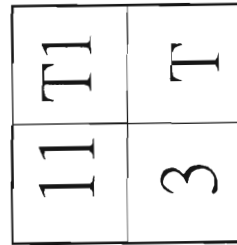


OPT.



RESET

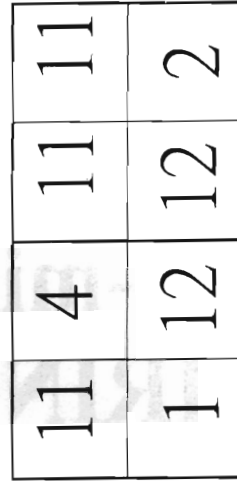
SB3



NO NC

RESET

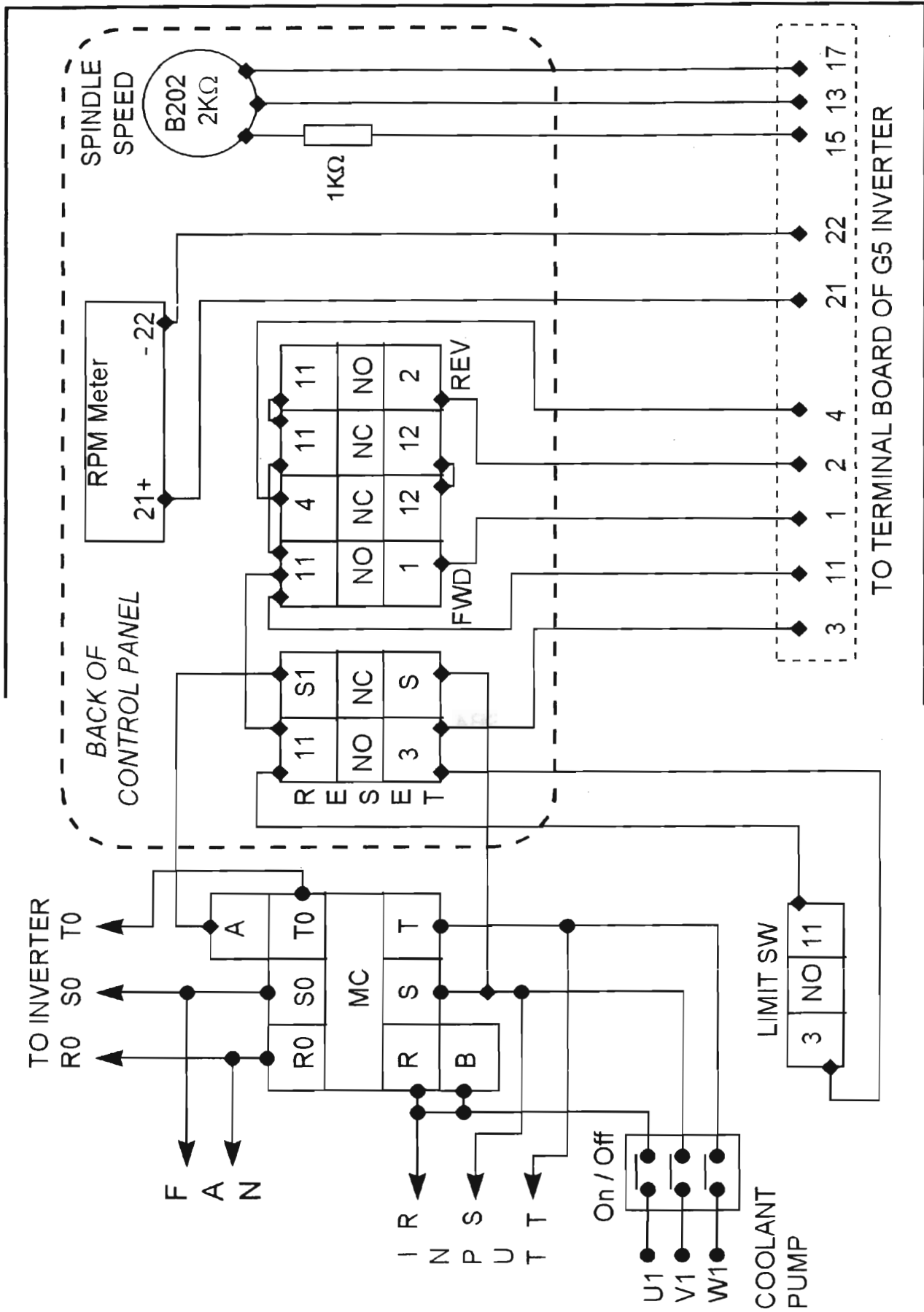
SB1



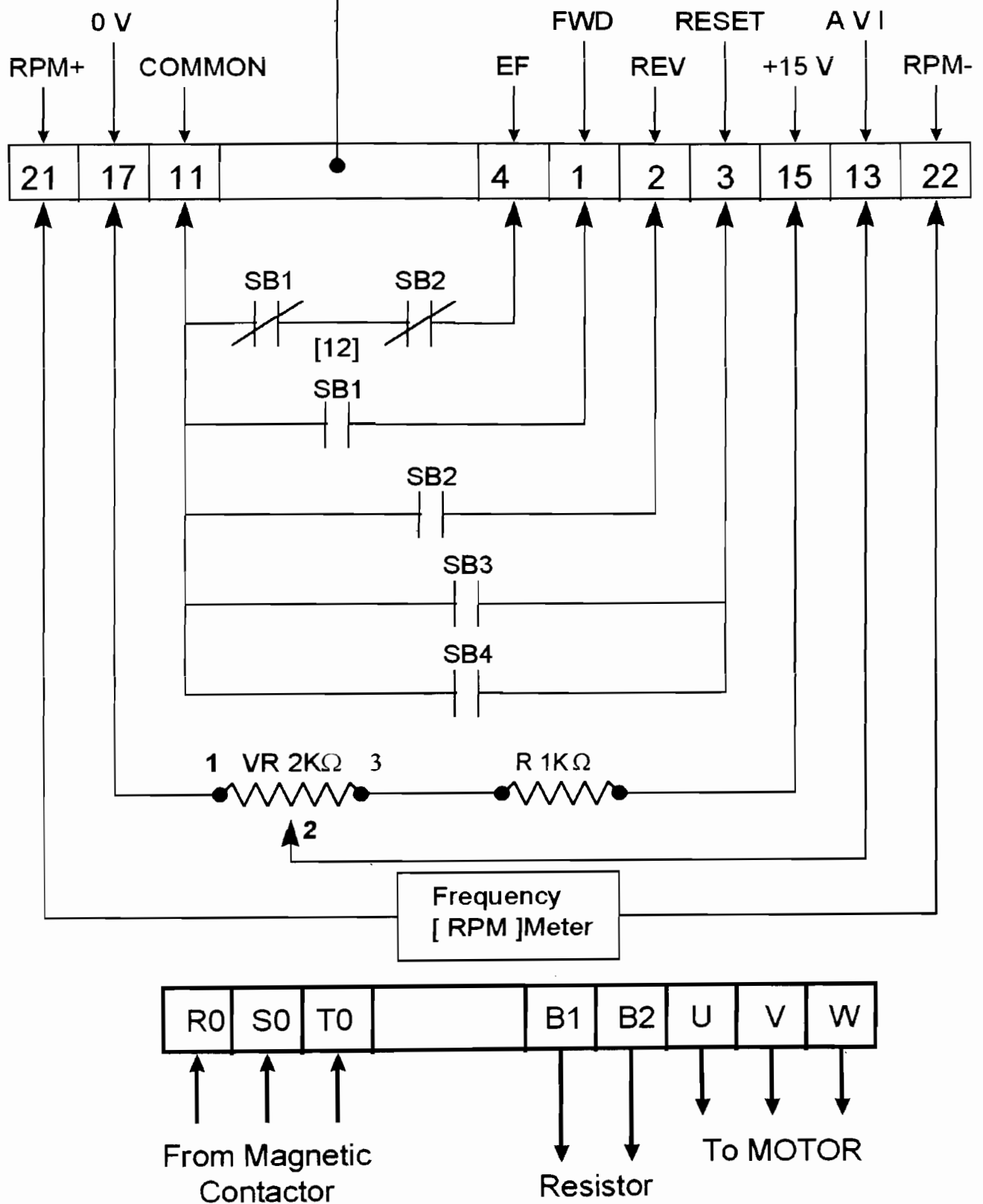
NO NC NC NO

SB2

## 2. YASKAWA G5 WIRING DIAGRAM

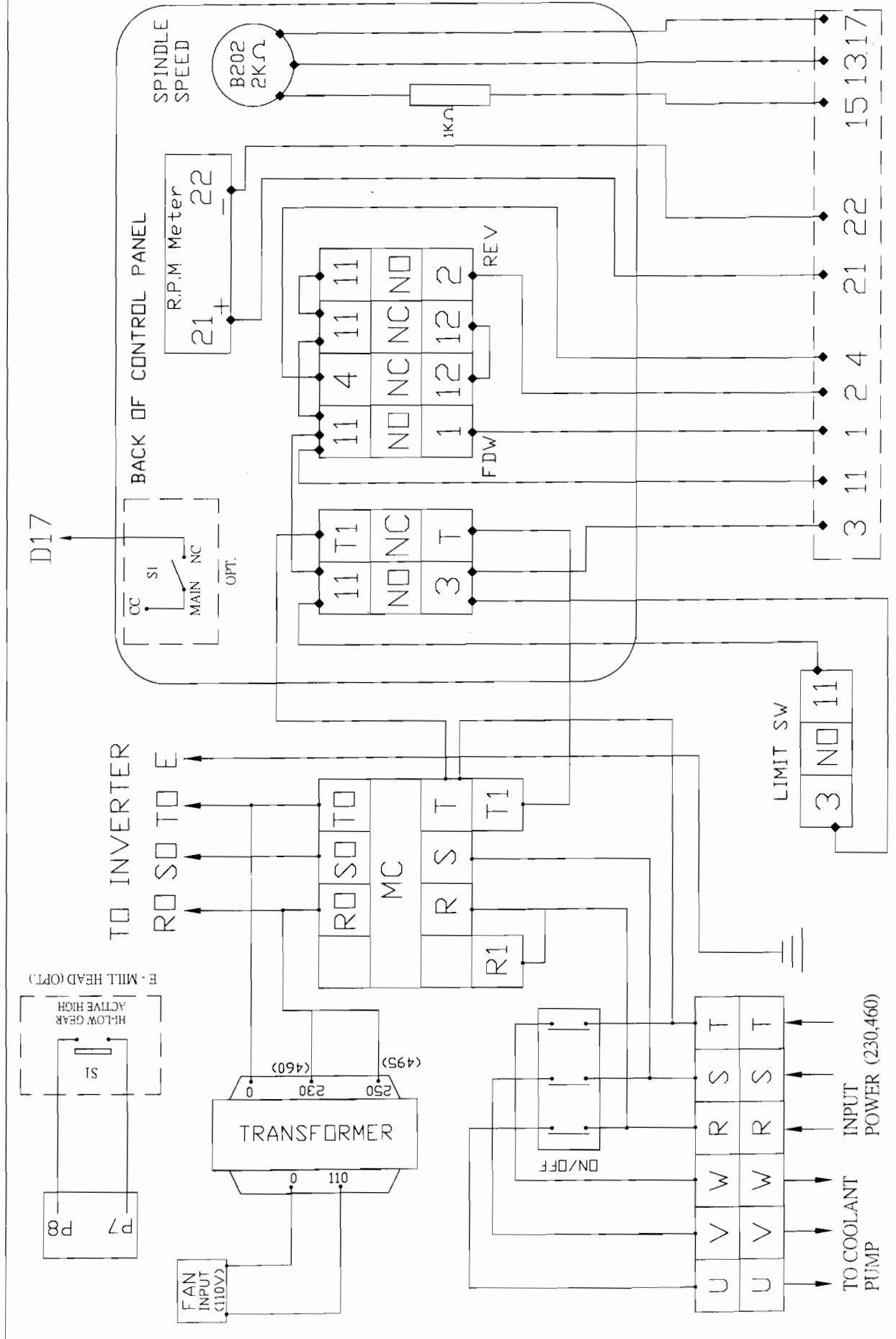


# Terminal Board of G5 Inverter



The Circuit Diagram

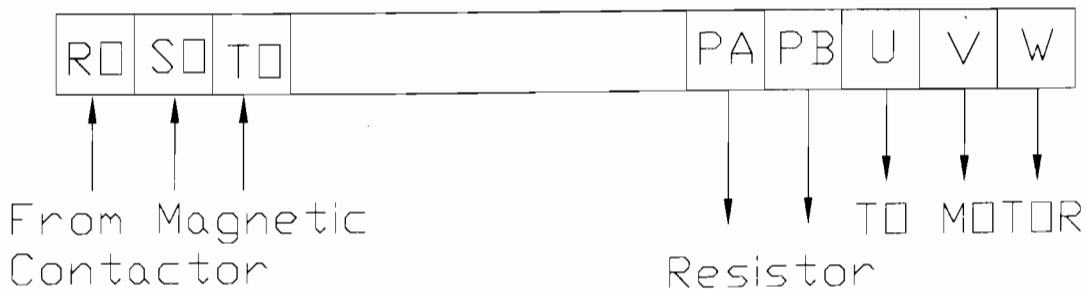
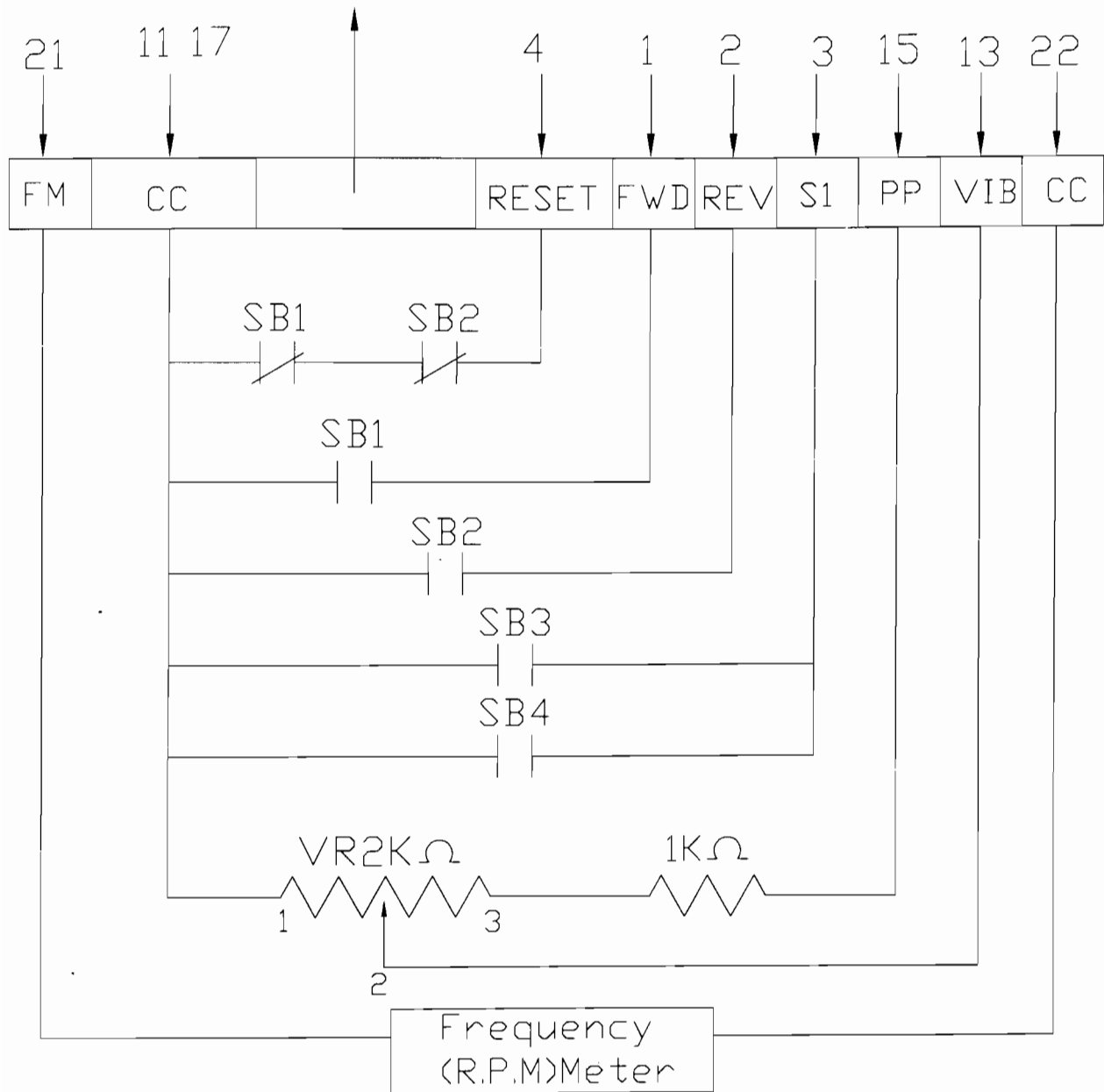
# TOSHIBA S7,S9 WIRING DIAGRAM



TO TERMINAL BOARD OF S7 INVERTER

# TOSHIBA

Terminal Board of S7 S9 Inverter



The Circuit diagram